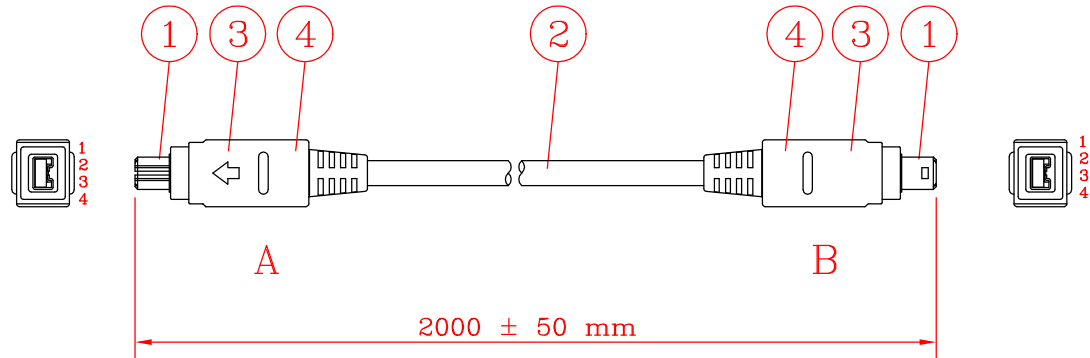


REV.	ZONE	LTR	DESCRIPTION	DATE	REVISER	APPD
------	------	-----	-------------	------	---------	------



PIN ASSIGNMENT :

Conn A : 1 2 3 4 SHELL  
 Conn B : 3 4 1 2 SHELL

Color= White	5 g	PE	4	XPL-001
Color= Black	20 g	PVC	3	XPL-016
Color= Black	1	AV, 4 WIRES	2	ZXCRK001-200
Male	2	P1394 A/V 4P connector	1	ZXAA001-4M

REMARK	Q'TY	PART NAME	NO.	PART NO.
--------	------	-----------	-----	----------

<b>高位企業有限公司</b> Yes Way Enterprise Corp.		TOLERANCE UNSPECIFIED	
		.000	±
SCALE <b>1 : 1</b>		UNIT	
		mm	
NAME <b>P1394 AV CABLE</b>		SHEET	ANGLE
		<b>1</b>	±
DRAWING NO. <b>B04A12-1200</b>		DRAWN	DESIGNER
		<b>Vivian 8/21/2002</b>	<b>Reo</b>
REV <b>2</b>		CHECKED	APPROVED
		<b>Jenny</b>	<b>Tim</b>