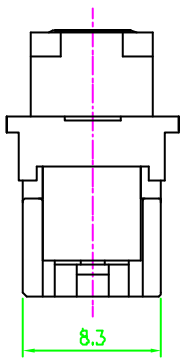
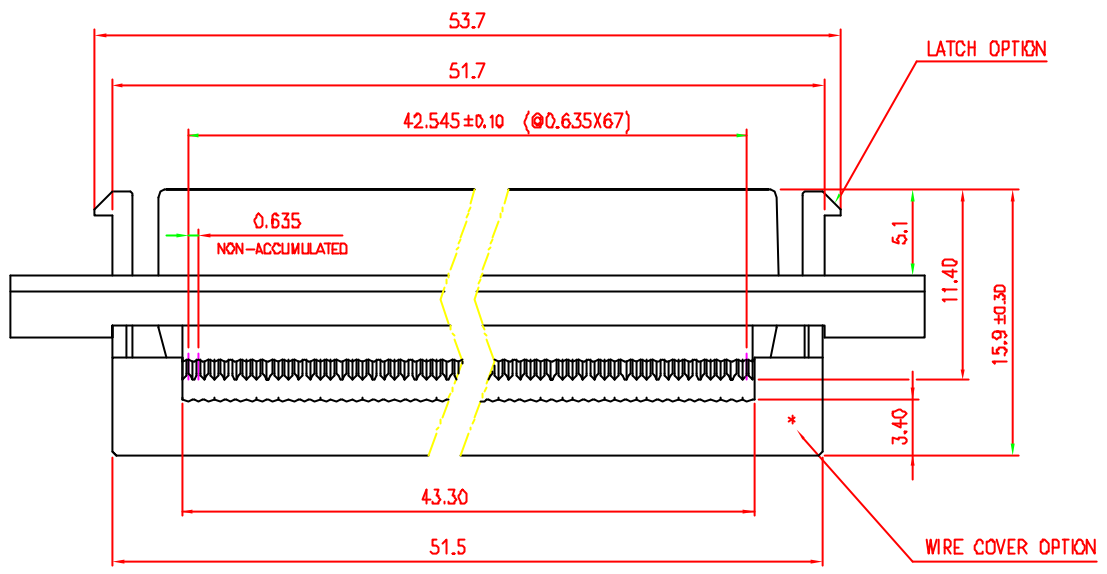
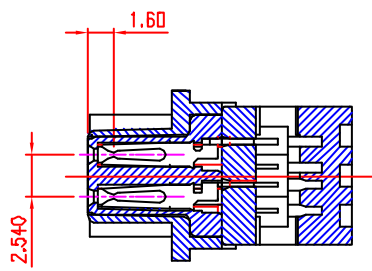


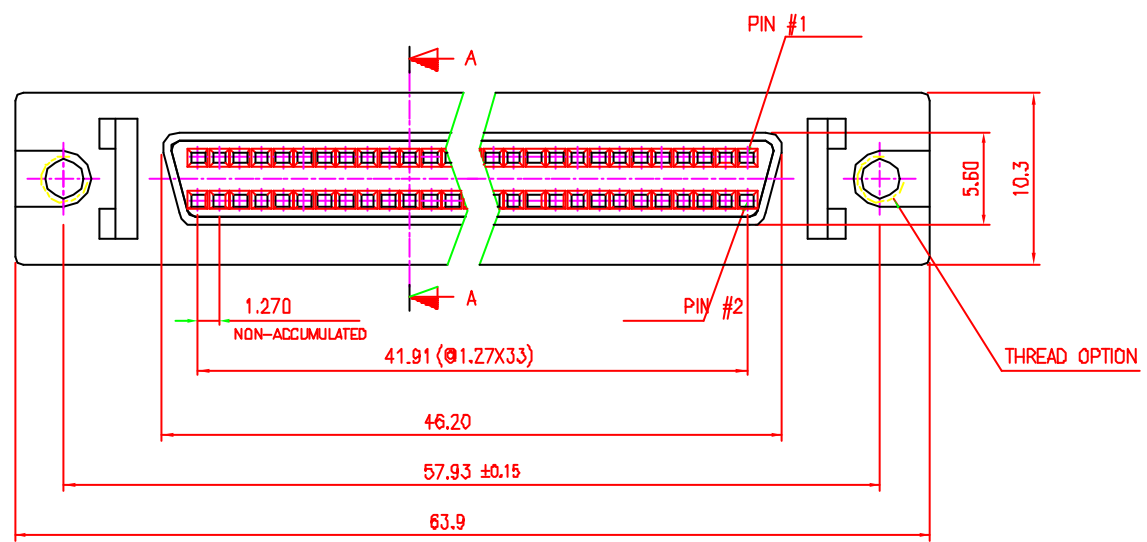
REV.	ZONE	LTR	DESCRIPTION	DATE	REVISER	APPD
------	------	-----	-------------	------	---------	------



APPLICABLE WIRE : AWG #30 & #32
 MATERIAL :
 INSULATOR..... P.B.T.+30% GLASS REINFORCED , UL94 V-0
 LOCATOR..... P.B.T.+30% GLASS REINFORCED , UL94 V-0
 WIRE COVER..... P.B.T.+30% GLASS REINFORCED , UL94 V-0
 CONTACT..... PHOSPHOR BRONZE , C5191R-H
 BRACKET..... ZINC ALLOY



SEC. A-A



REMARK	Q'TY	PART NAME	NO.	PART NO.
高位企業有限公司 Yes Way Enterprise Corp.		TOLERANCE UNSPECIFIED		
SCALE 1:1		UNIT mm		.000 ±
NAME .635mm, HPD68F IDC		SHEET 1 / 1		.00 ±
DRAWING NO. SIA68F-13MD		REV 1		.0 ±
		CHECKED Ruby		ANGLE ±
		APPROVED Gena		DRAWN VIVIAN 3/8/2K
		DESIGNER Simon		
		A3		