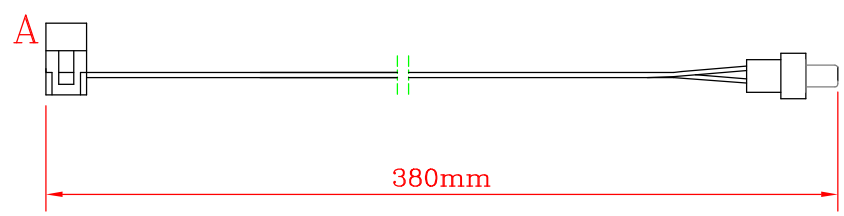
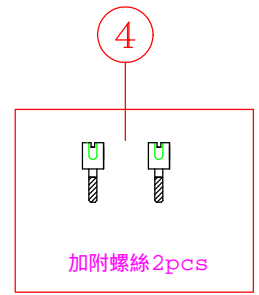
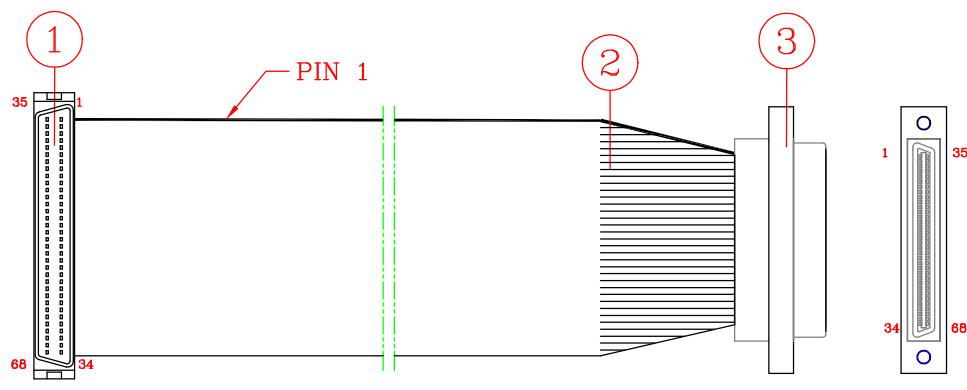


REV.	ZONE	LTR	DESCRIPTION	DATE	REVISER	APPD
------	------	-----	-------------	------	---------	------



TWIST CABLE SPAN=125mm
TOLERANCE ±15mm

PIN ASSIGNMENT :

Conn A :	1	2	3	4	5	6	7	8	9	10	11	12	13	14	15	16	17	18
Conn B :	1	2	3	4	5	6	7	8	9	10	11	12	13	14	15	16	17	18
Conn A :	19	20	21	22	23	24	25	26	27	28	29	30	31	32	33	34	35	36
Conn B :	19	20	21	22	23	24	25	26	27	28	29	30	31	32	33	34	35	36
Conn A :	37	38	39	40	41	42	43	44	45	46	47	48	49	50	51	52	53	54
Conn B :	37	38	39	40	41	42	43	44	45	46	47	48	49	50	51	52	53	54
Conn A :	55	56	57	58	59	60	61	62	63	64	65	66	67	68				
Conn B :	55	56	57	58	59	60	61	62	63	64	65	66	67	68				

	2	.8mm CONN.M2 SCREW	4	XSC-052
Black	1	.8mm VHDC 68F CONN.	3	SIV68F-11
	38cm	.635mm 68PIN 30AWG	2	CFC68-M-038
Black	1	HPD68M 0.635mm, IDC	1	SIA68M-13P-C
REMARK	Q'TY	PART NAME	NO.	PART NO.

高位企業有限公司 Yes Way Enterprise Corp.		TOLERANCE UNSPECIFIED	
SCALE		UNIT	
1 : 1		mm	
NAME		SHEET	
ULTRA 3 SCSI FLAT CABLE A'SSY		1 / 1	
DRAWING NO.		REV	
P68M61-X038		0	
		CHECKED	
		Jenny	
		APPROVED	
		Tim	
		A3	