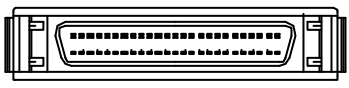
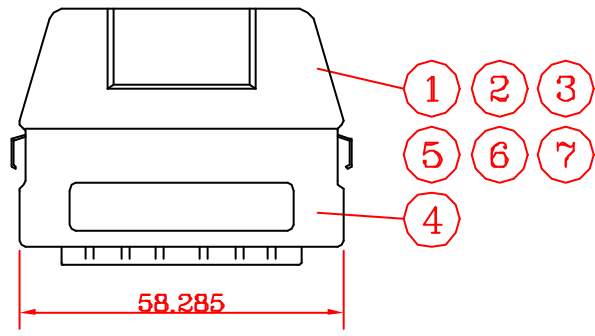
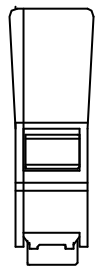
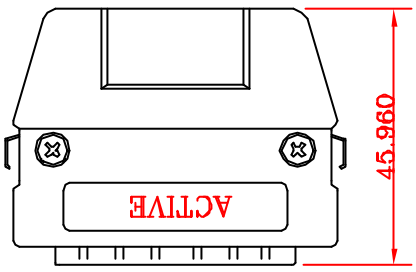
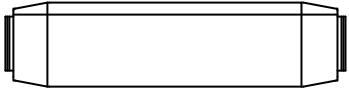
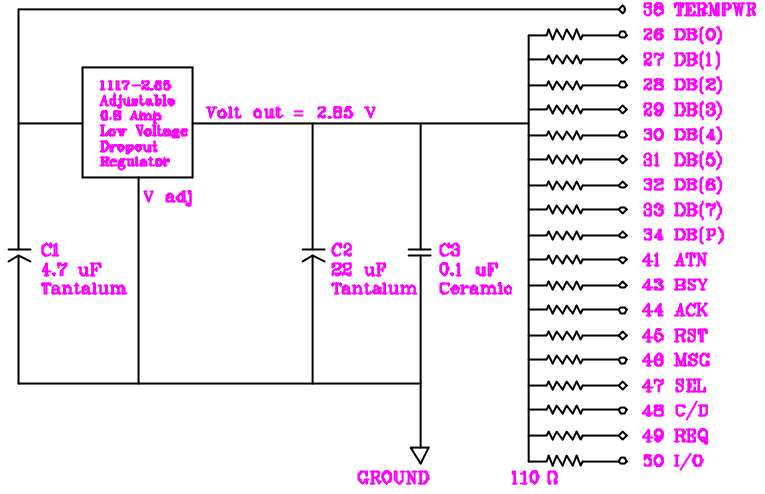


1 2 3 4 5 6 7

REV.	ZONE	LTR	DESCRIPTION	DATE	REVISER	APPD
------	------	-----	-------------	------	---------	------



NOTE :

1. All ground pins are bussed.
2. Resistor tolerance is ± 2%.
3. SCSE-2 single-end active terminator.
4. Pin 13 is open

	1	Regulator,1117-2.85	7	XQT-053
Tolerance=±2%	2	Network Resistor,110Ω	6	XQT-044-A
34 x 24 mm	2	PCB HPD50M	5	XPL-080-PAN
	1	SCSE-2 60P SMT,Male	4	SMD50M-11MX-A
	1	SMD,22uF,C TYPE	3	XQT-051-S22C
	1	SMD,4.7uF A TYPE	2	XQT-051-S47
	1	SMD,0.1uF,0805	1	XQT-048-S01

REMARK	Q'TY	PART NAME	NO.	PART NO.
		高位企業有限公司 Yes Way Enterprise Corp.		TOLERANCE UNSPECIFIED
		SCALE	UNIT	.000 ±
		1 : 1	mm	.00 ±
		NAME	SHEET	.0 ±
		SCSE-2 ACTIVE TERMINATOR	1	ANGLE ±
			1	DRAWN Reto 9/21/98
		DRAWING NO.	REV	DESIGNER Simen
		S50D12-A	1	CHECKED Ruby
				APPROVED Gena
			A3	

1 2 3 4 5 6 A3