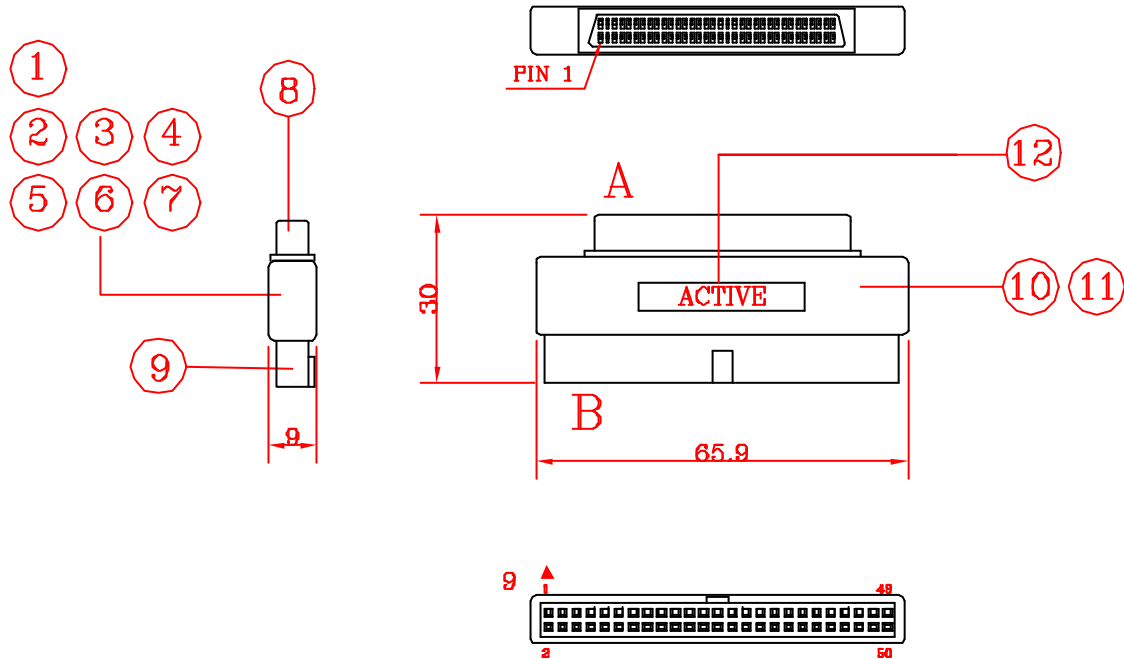
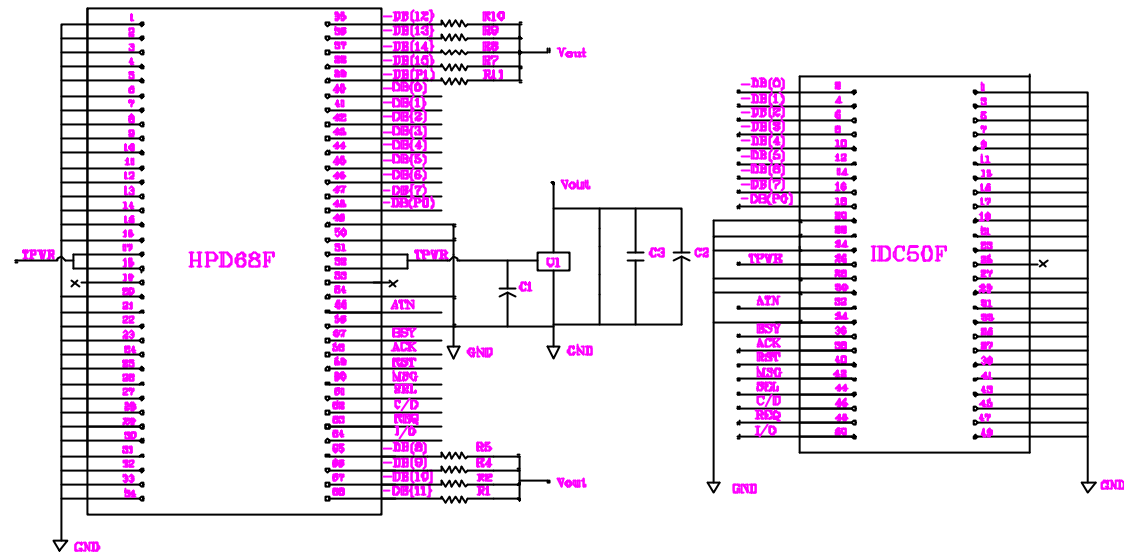



REV.	ZONE	LTR	DESCRIPTION	DATE	REVISED	APPD
------	------	-----	-------------	------	---------	------



1	STICKER	12	XPL-087-A
1	CoverB, HPD68-BH50M	11	XPL-094-DB
1	CoverA, HPD68-BH60	10	XPL-094-DA
1	IDC50F, DIP	9	HTA50F-17
1	HPD68F, SMT	8	SMD68F-16P
1	SMD ACT. REG.(TEST)	7	XQT-053-G955
1	SMD CAP. 1100hm	6	XQT-047-U111
1	XQT-047-U111	5	XQT-047-S241
1	SMD CAP. 0.1uF, 0805	4	XQT-048-S01
1	SMD CAP. 4.7uF	3	XQT-051-S47-1
1	SMD CAP. 22uF	2	XQT-051-S22C-1
1	PCB, HPD68F/IDC50F	1	XPL-091-B

REMARK	Q'TY	PART NAME	NO.	PART NO.
		 高位企業有限公司 Yes Way Enterprise Corp.		
		TOLERANCE UNSPECIFIED		
		.000 ±		
		.00 ±		
		.0 ±		
		±		
		ANGLE ±		
		DRAWN Vivian 10/25/ZK		
		DESIGNER Simon		
		CHECKED Ruby		
		APPROVED Chris		
NAME		SHEET		
HPD68F-IDC50		1		
ACTIVE TERM.		1		
DRAWING NO.		REV		
S68A19-A		0		
		A3		