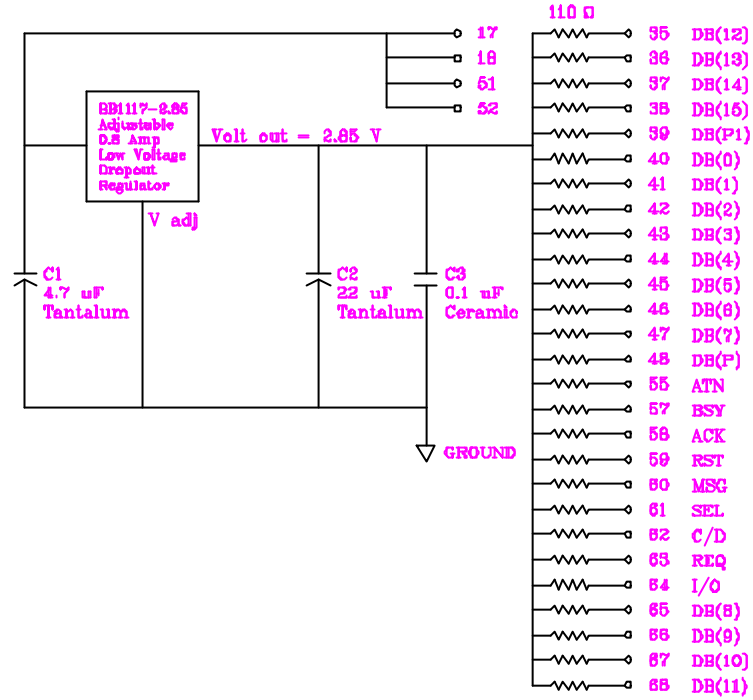


1 2 3 4 5 6 7

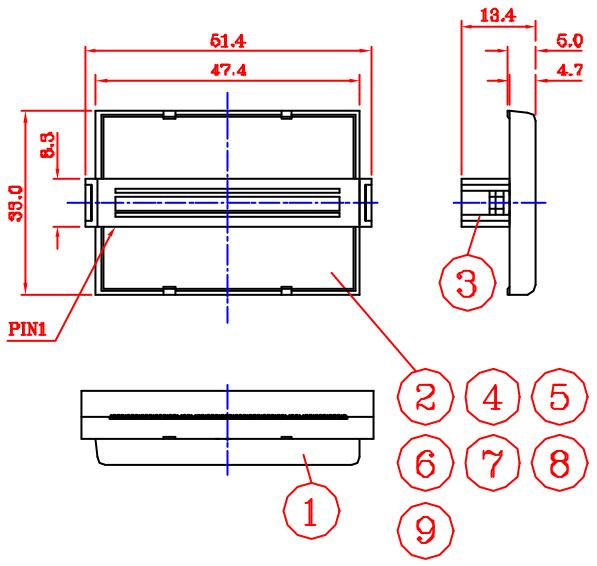
REV.	ZONE	LTR	DESCRIPTION	DATE	REVISER	APPD
------	------	-----	-------------	------	---------	------

A  
B  
C  
D  
E



PACKING LIST		1 PIECE IN A PAPER BOX CARTON MEAS'T: 33cm * 25cm * 41cm		
PART NUMBER	TYPE	QUANTITY	NET WEIGHT	GROSS WEIGHT
S68D18-A	Term	200	12 KGS.	13 KGS.

Tantalum	1	SMD Capacity,4.7uF	9	XQT-051-S47
Ceramic	1	SMD Capacity,0.1uF	8	XQT-048-S01
Tantalum	1	SMD Capacity,22uF	7	XQT-051-S22C
0.8 Amp.	1	SMD Regulator,BB1117	6	XOT-053
Tolerance=±2%	27	SMD Resistor,110 Ω	5	XQT-047-S111
Tolerance=±2%	1	SMD Resistor,240Ω	4	XQT-047-S241
Black	1	1.27mm Dip IDC 68P	3	XAA-012-68
	1	PCB, Dip plug 68	2	XPL-076-A
Black	1	Bottom, Dip plug 68	1	XPL-076-D



NOTE :  
1. Regulator used BB, SCS, LINER.

REMARK	Q'TY	PART NAME	NO.	PART NO.
		 <b>高位企業有限公司</b> <i>Yes Way Enterprise Corp.</i>		
		SCALE	UNIT	
		1 : 1	mm	
NAME			SHEET	
Dip 68 ACTIVE Terminator			1	
DRAWING NO.			REV	CHECKED
S68D18-A			1	Ruby
			APPROVED	Gena
			A3	

1 2 3 4 5 6 A3