

REV.	ZONE	LTR	DESCRIPTION	DATE	REVISER	APPD
------	------	-----	-------------	------	---------	------

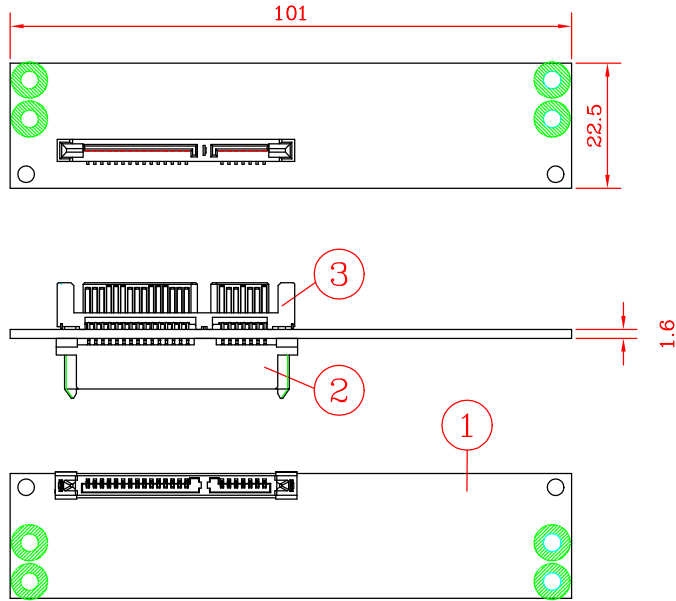
A

B

C

D

E



BLACK	1	SATA 22M SMD TYPE	3	XAA-062-22M
BLACK	1	SATA22F DIP180' CONN.	2	XAA-063-22F
Green	1	PCB. 101*22.5*1.6mm	1	XAA-022-A

REMARK	Q'TY	PART NAME	NO.	PART NO.
高位企業有限公司 <i>Yes Way Enterprise Corp.</i>		TOLERANCE UNSPECIFIED		
SCALE 1 : 1		UNIT mm		
NAME		SHEET		DRAWN Vivian 5/12/2003
SATA BACKPLANE		1 / 1		
DRAWING NO. R22A02-C		REV 2		CHECKED Jenny
				APPROVED Tim
				A3

A

B

C

D

E

1

2

3

4

5

6

A3