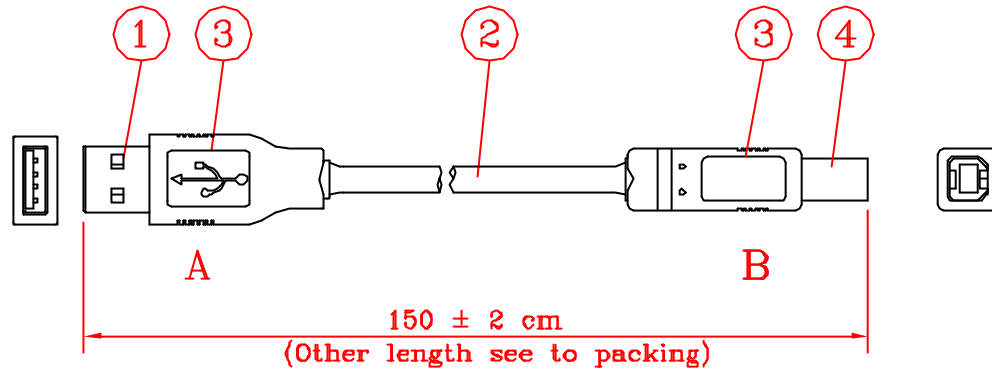


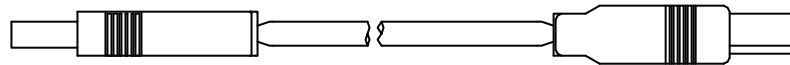
1 2 3 4 5 6 7

| REV. | ZONE | LTR | DESCRIPTION | DATE | REVISER | APPD |
|------|------|-----|-------------|------|---------|------|
|------|------|-----|-------------|------|---------|------|

| PACKING LIST | | 1 PIECE IN A PLASTIC BAG CARTON MEAS'T: 40cm * 35cm * 21cm | | |
|--------------|--------|---|------------|--------------|
| PART NUMBER | LENGTH | QUANTITY | NET WEIGHT | GROSS WEIGHT |
| B04A03-A150 | 150 cm | 200 | 13 KGS. | 14 KGS. |
| B04A03-A183 | 183 cm | 185 | 13 KGS. | 14 KGS. |
| B04A03-A050 | 50 cm | 185 | 13 KGS. | 14 KGS. |



150 ± 2 cm
(Other length see to packing)



PIN ASSIGNMENT :

Conn A : 1 2 3 4 SHELL
 Conn B : 1 2 3 4 SHELL

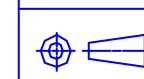
| | | | | |
|--------------|------|---------------------|---|-------------|
| Female | 1 | USB(B) 4P connector | 4 | XAA028-4FB |
| Color= Beige | 20 g | PVC | 3 | XPL-015 |
| Color= Beige | 1 | UL2835, 4 WIRES | 2 | XCBK001-150 |
| Female | 1 | USB 4P connector | 1 | XZZ021-4P |

| REMARK | Q'TY | PART NAME | NO. | PART NO. |
|--------|------|-----------|-----|----------|
|--------|------|-----------|-----|----------|



高位企業有限公司
Yes Way Enterprise Corp.

TOLERANCE UNSPECIFIED



SCALE
1 : 1

UNIT
mm

.000 ±

.00 ±

.0 ±

±

ANGLE ±

NAME
**USB HIGH SPEED
ADAPTER CABLE**

SHEET
1 / 1

DRAWN
Vivian 7/30/2001

DESIGNER
Simen

DRAWING NO.
B04A03-A150

REV
2

CHECKED
Ruby

APPROVED
Chris

1 2 3 4 5 6 A3